

1 Overhead Light Plot
Scale: 1/2" = 1'-0"

SYMBOL KEY	COLOR	UNIT	CHANNEL #
[Symbol]	[Color]	[Unit]	[Channel #]

Instrument Schedule	
[Symbol]	RGB LED Par @ 200w
[Symbol]	8R Fluorescent Tube @ UNK
[Symbol]	ETC Source4 PAR WFL @ 575w
[Symbol]	ETC Source4 LED 36deg @ 140w
[Symbol]	ETC Source4 36deg @ 575w
[Symbol]	ETC Source4 50deg @ 575w
[Symbol]	ChromaQ Colorforce II 72 @ 800 w
[Symbol]	Chauvet COLORado 2 Quad Zoom Tour @ 205w
[Symbol]	Chauvet Rogue R2 Wash @ 339w
[Symbol]	Allman Par 46 @ 200w
[Symbol]	Hanging Practical
[Symbol]	USITT Practical Luminaire
[Symbol]	USITT Practical Symbol
[Symbol]	Practical @ Practical

Designer/Contact Information:

Columbia
COLLEGE OF ARCHITECTURE

JACK WEIMER
555 W Cornelia Ave
Apt. 305
jweimer@colum.edu
614-580-4268
Drawn By: Jack Weimer
Revision Date: 2/26/21
Revision By: MF

NOTES:

All conventionals to receive L201 + R119 unless otherwise specified.

All LED LERs to receive R119.

Color still TBD...

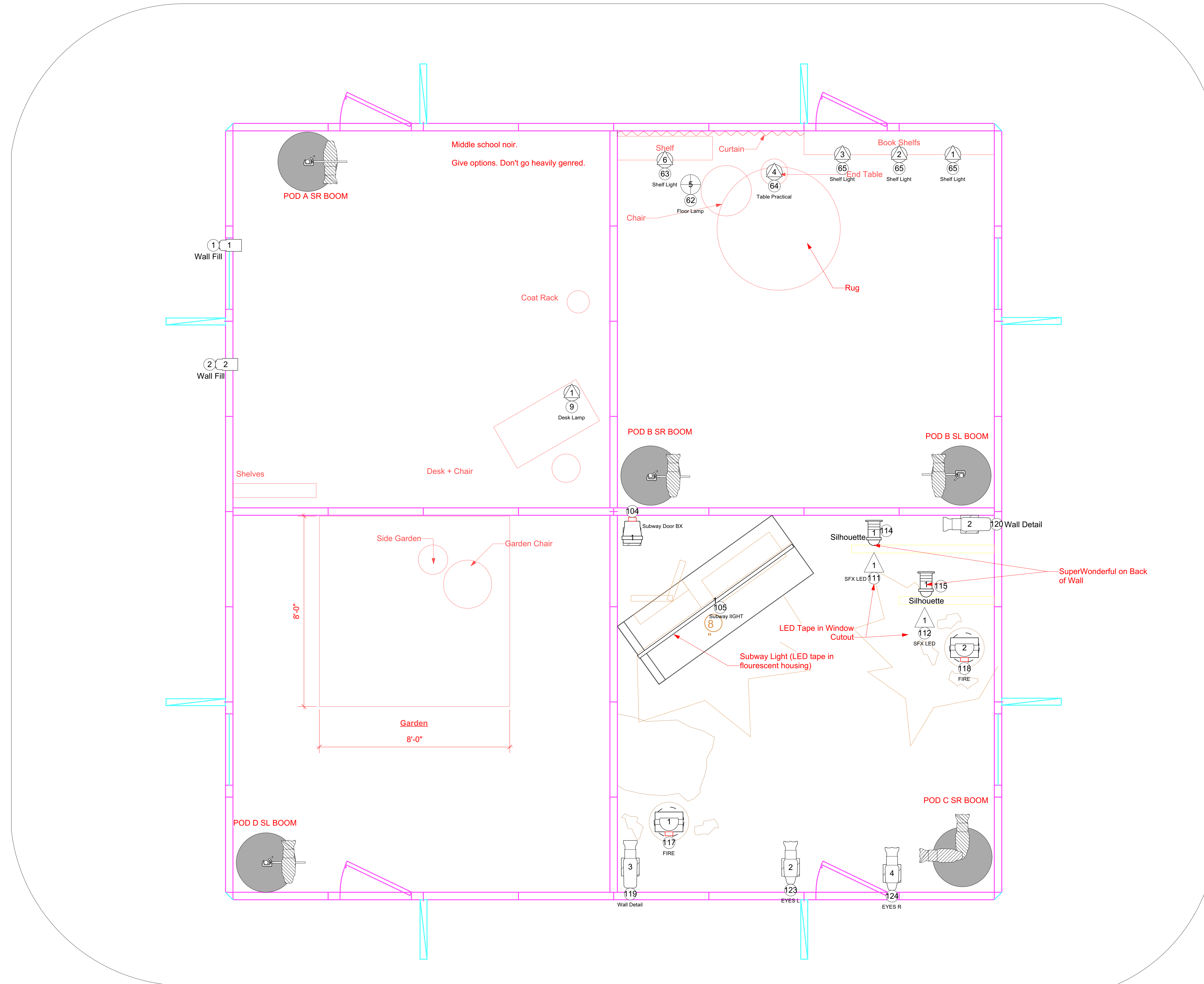
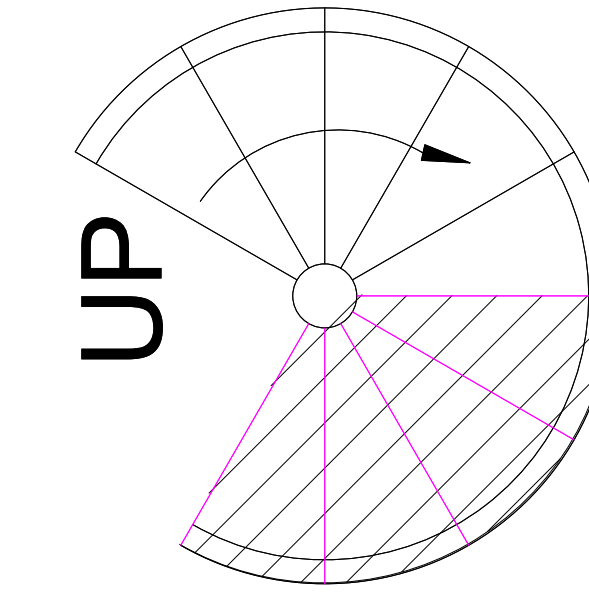
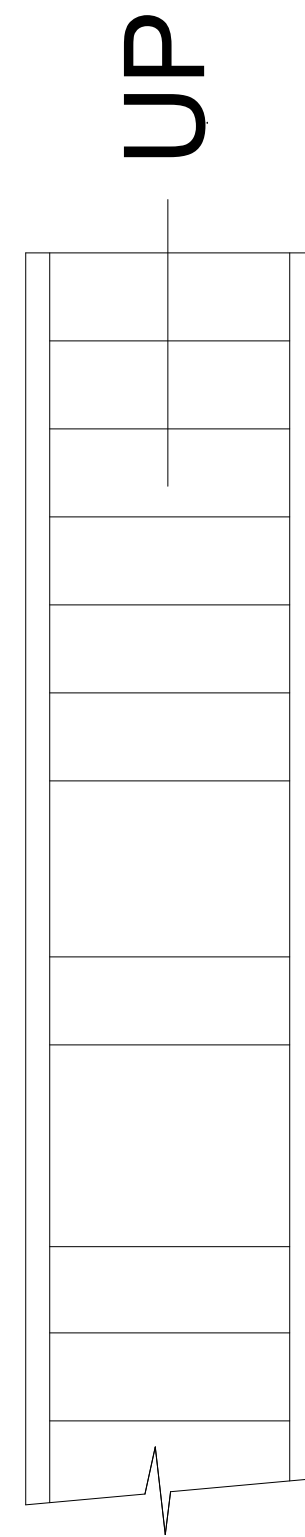
Project: ARE YOU THERE GOD?
ITS ME KATNISS EVERDEEN

Director: Anne Libera
Purpose: 404 Overhead Plot

Date: 2/8/2021

Scale: 1/2"

Sheet: 1 OF 6



3 FLOOR PLOT
Scale: 1/2" = 1'-0"

SYMBOL KEY	COLOR	UNIT #	CHANNEL #
[Symbol]	[Color]	[Unit #]	[Channel #]

Instrument Schedule	
[Symbol]	RGB LED Par @ 200w
[Symbol]	8ft Fluorescent Tube @ UNK
[Symbol]	ETC Source4 PAR WFL @ 575w
[Symbol]	ETC Source4 LED 36deg @ 140w
[Symbol]	ETC Source4 36deg @ 575w
[Symbol]	ETC Source4 50deg @ 575w
[Symbol]	ChromaQ Colorforce II 72 @ 800 w
[Symbol]	Chauvet COLO-Rado 2 Quad Zoom Tour @ 205w
[Symbol]	Chauvet Rogue R2 Wash @ 339w
[Symbol]	Allman Par 46 @ 200w
[Symbol]	Hanging Practical
[Symbol]	USITT Practical Luminaire
[Symbol]	USITT Practical Symbol
[Symbol]	Practical @ Practical

Designer/Contact Information:

Columbia COLLEGE CHICAGO

JACK WEIMER
555 W Cornelia Ave
Apt. 305
jweimer@colum.edu
614-580-4268
Drawn By: Jack Weimer
Revision Date: 2/26/21
Revision By: MF

NOTES:
All conventionals to receive L201 + R119 unless otherwise specified.
All LED LEKOs to receive R119.
Color still TBD...
Please have stage blocks available for floor mount lights just in case.

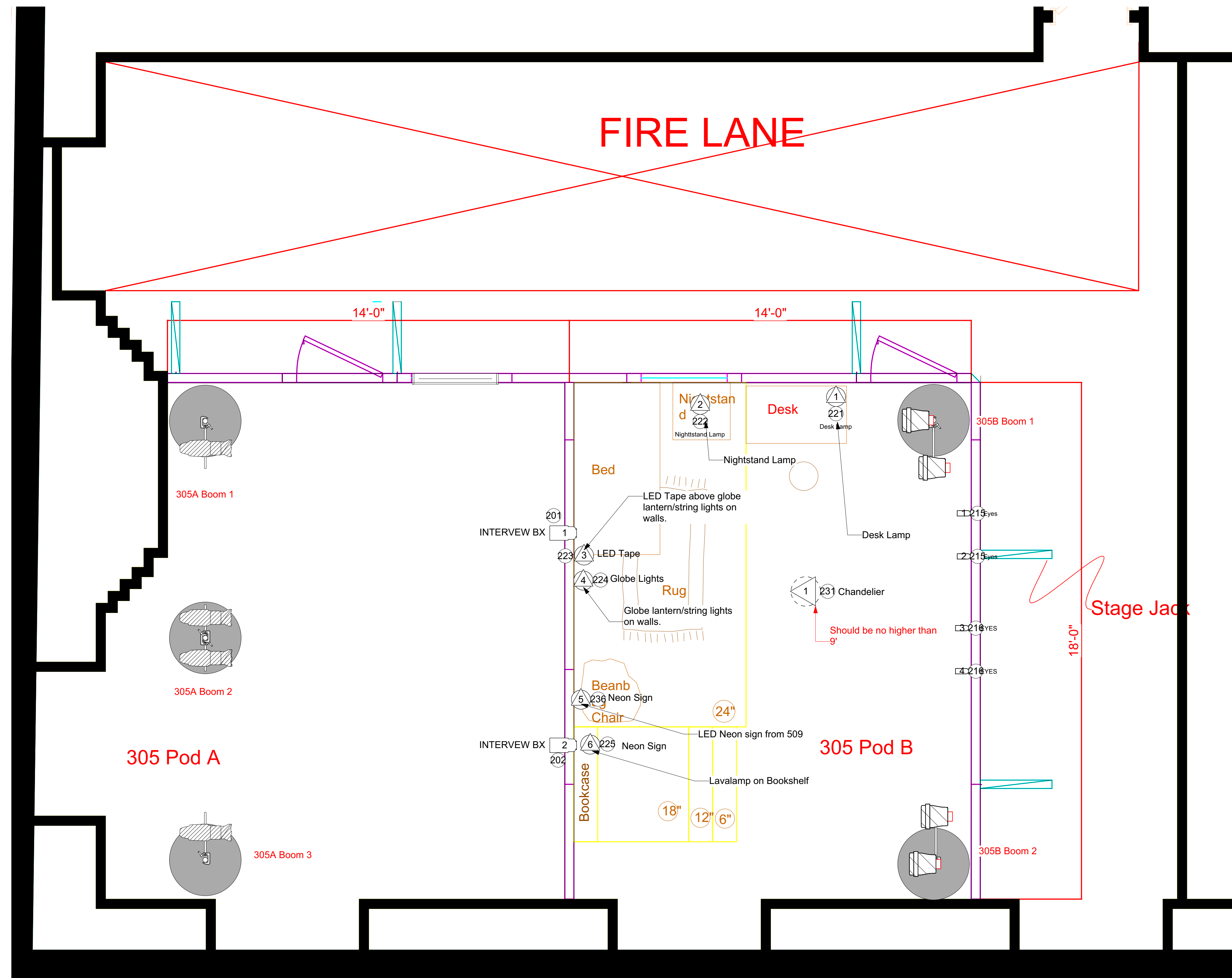
Project:
ARE YOU THERE GOD?
ITS ME KATNISS EVERDEEN

Director: Anne Libera
Purpose: 404 Floor Plot

Date: 2/8/2021

Scale: 1/2"

Sheet:
2
OF
6



3 305 PLOT
Scale: 1/2" = 1'-0"

SYMBOL	COLOR	UNIT #	CHANNEL #
[Symbol]			
[Symbol]			
[Symbol]			
[Symbol]			
[Symbol]			
[Symbol]			
[Symbol]			
[Symbol]			
[Symbol]			
[Symbol]			
[Symbol]			
[Symbol]			
[Symbol]			
[Symbol]			
[Symbol]			
[Symbol]			
[Symbol]			
[Symbol]			
[Symbol]			
[Symbol]			
[Symbol]			
[Symbol]			
[Symbol]			

Designer/Contact Information:

JACK WEIMER
555 W Cornelia Ave
Apt. 305
jweimer@colum.edu
614-580-4268
Drawn By: Jack Weimer
Revision Date: 2/26/21
Revision By: MF

NOTES:
All conventionals to receive L201 + R119 unless otherwise specified.
All LED LERs to receive R119.
Color still TBD...

Project: ARE YOU THERE GOD?
ITS ME KATNISS EVERDEEN

Director: Anne Libera
Purpose: 305 Plot

Date: 2/8/2021

Scale: 1/2"

Sheet: 3 OF 6

SYMBOL KEY
 COLOR UNIT # CHANNEL #

- Instrument Schedule**
- RGB LED Par @ 200w
 - 8R Fluorescent Tube @ UNK
 - ETC Source4 PAR WFL @ 575w
 - ETC Source4 LED 36deg @ 140w
 - ETC Source4 36deg @ 575w
 - ETC Source4 50deg @ 575w
 - ChromaQ Colorforce II 72 @ 800 w
 - Chauvet COLO-Rado 2 Quad Zoom Tour @ 205w
 - Chauvet Rogue R2 Wash @ 339w
 - Altman Par 46 @ 200w
 - Hanging Practical
 - USITT Practical Luminaire
 - USITT Practical Symbol
 - Practical @ Practical

Designer/Contact Information:

Columbia
COLLEGE OF CHICAGO

JACK WEIMER
 555 W Cornelia Ave
 Apt. 305
 jweimer@colum.edu
 614-580-4268
 Drawn By: Jack Weimer
 Revision Date: 2/26/21
 Revision By: MF

NOTES:
 All conventionals to receive L201 + R119 unless otherwise specified.
 All LED LERKOs to receive R119.
 Color still TBD...

Project:
 ARE YOU THERE GOD?
 ITS ME KATNISS EVERDEEN

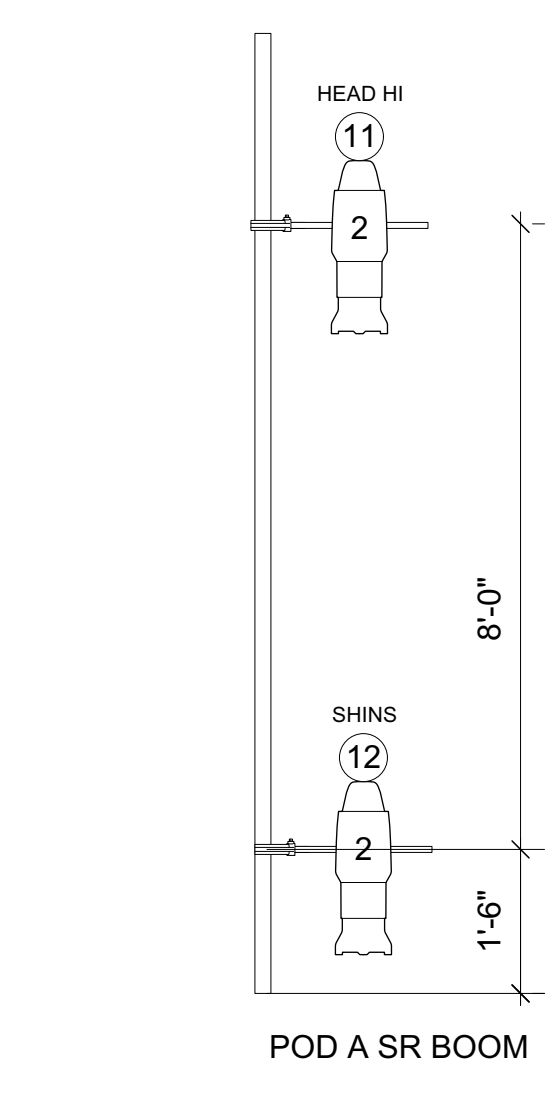
Director: Anne Libera
Purpose: Boom Plot

Date: 2/8/2021

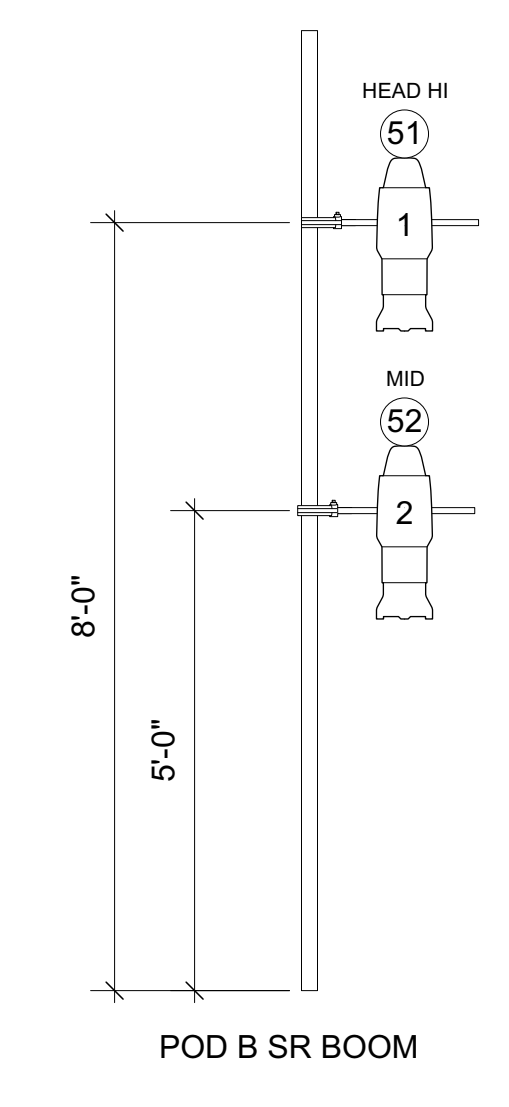
Scale: 1/2"

Sheet:
 4
 OF
 6

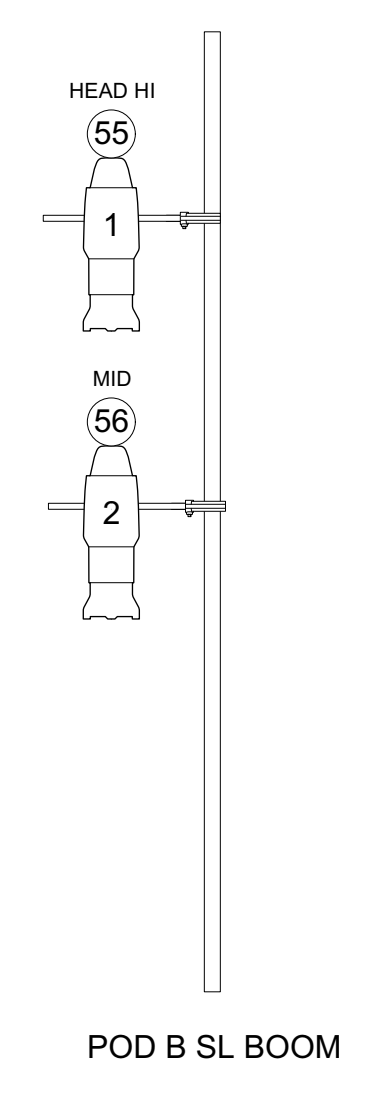
404 BOOMS



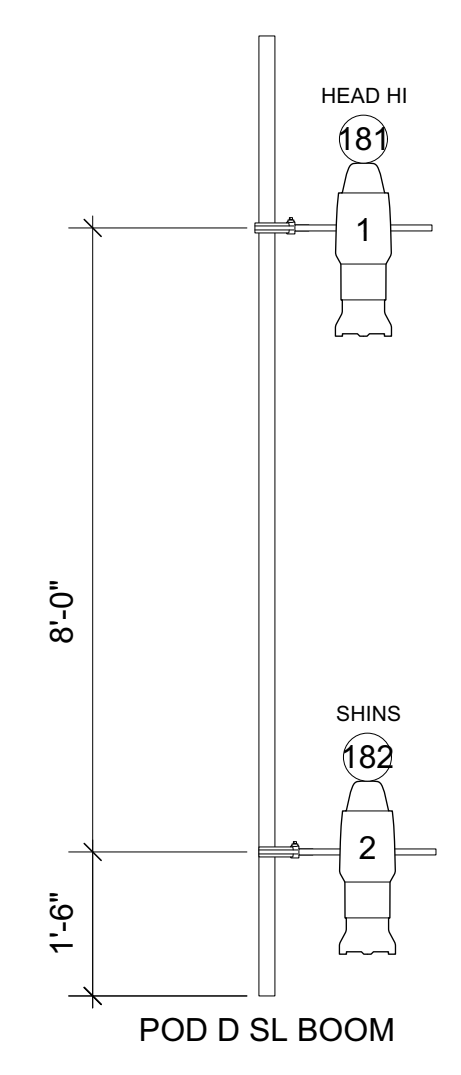
POD A SR BOOM



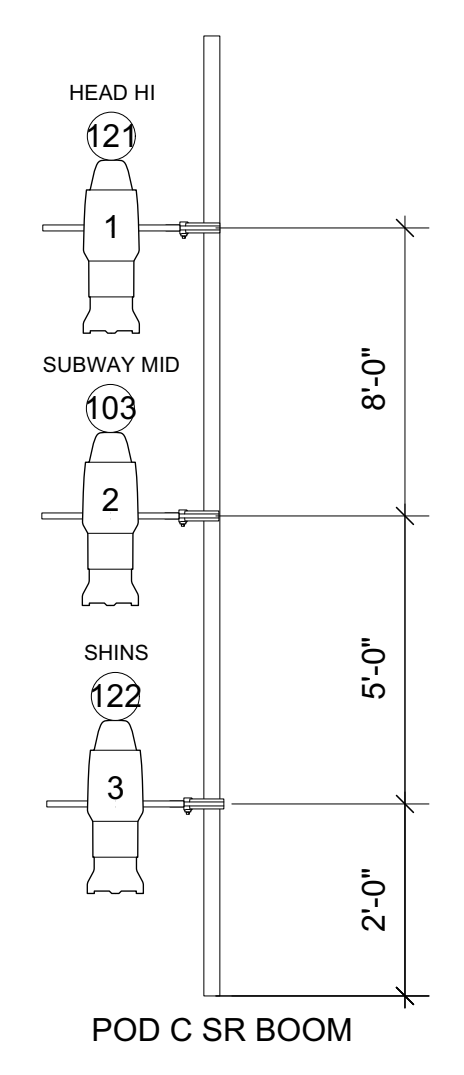
POD B SR BOOM



POD B SL BOOM

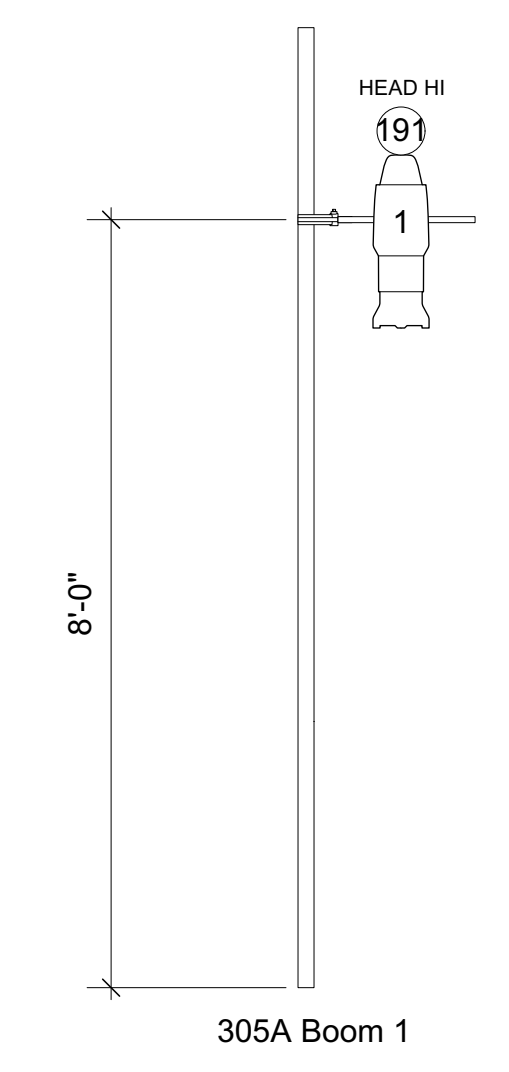


POD D SL BOOM

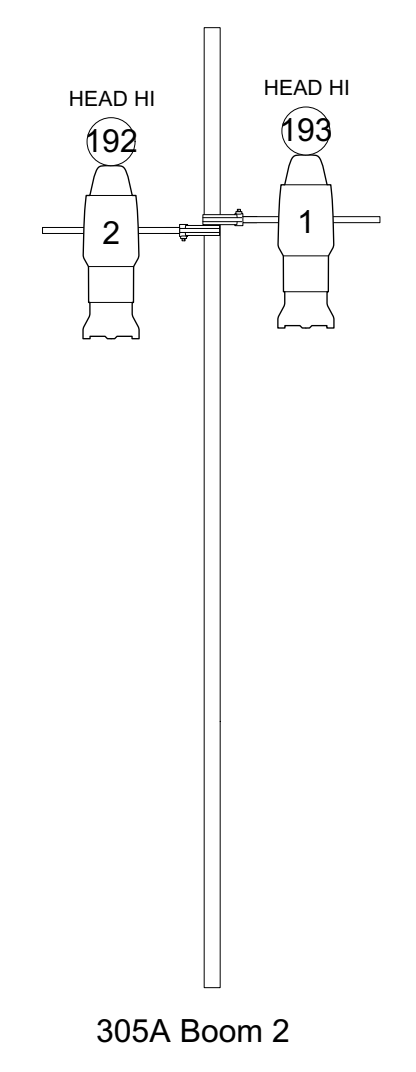


POD C SR BOOM

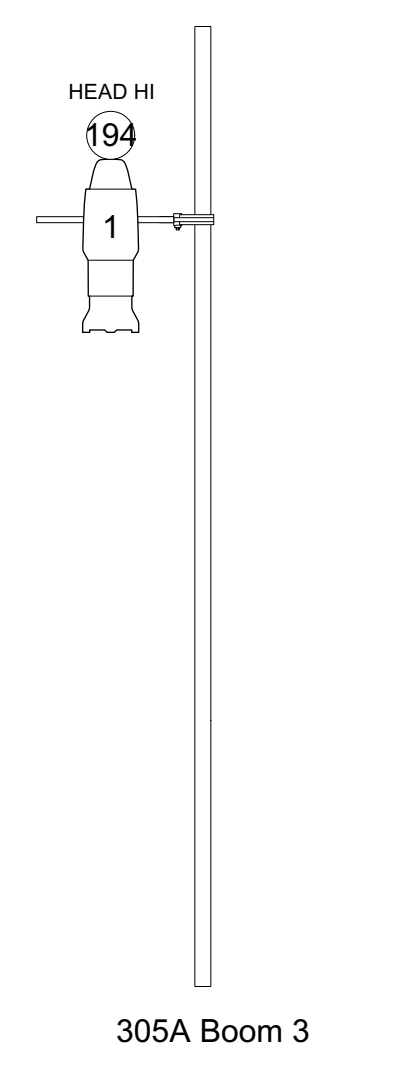
305 BOOMS



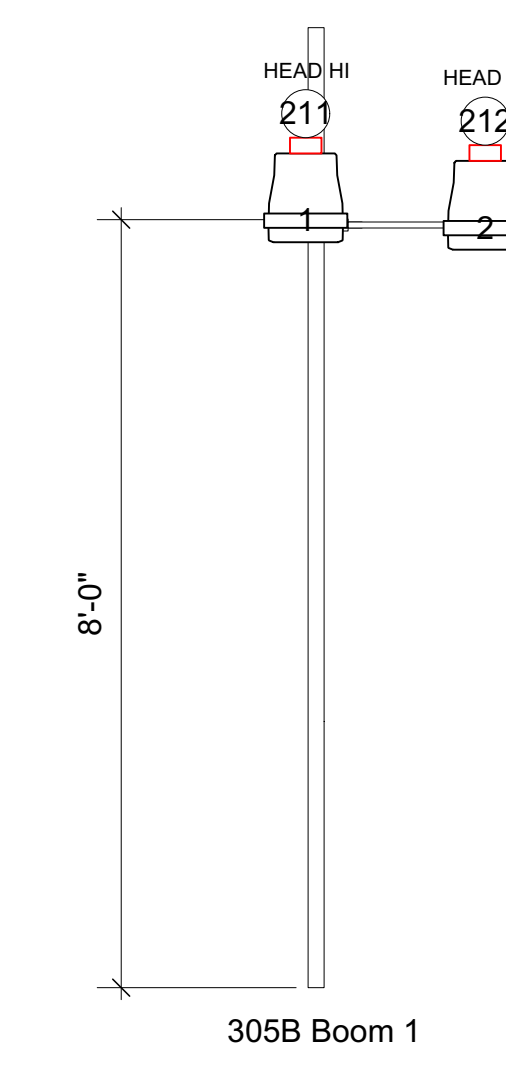
305A Boom 1



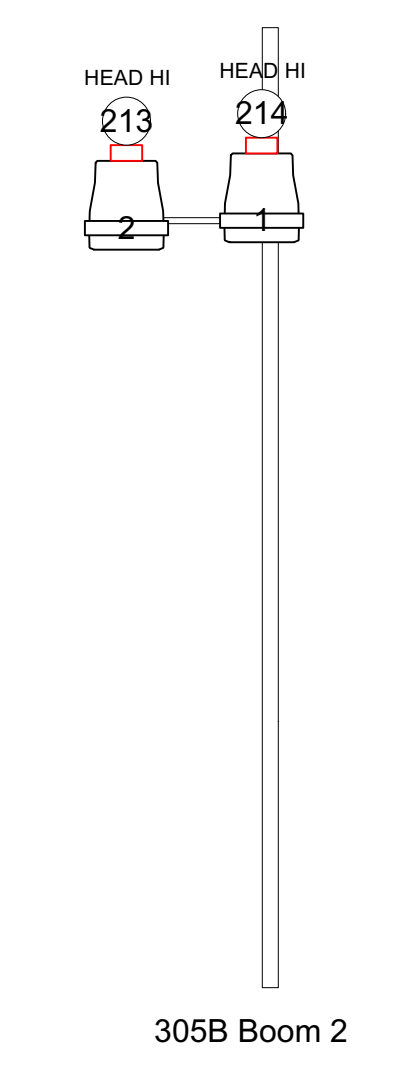
305A Boom 2



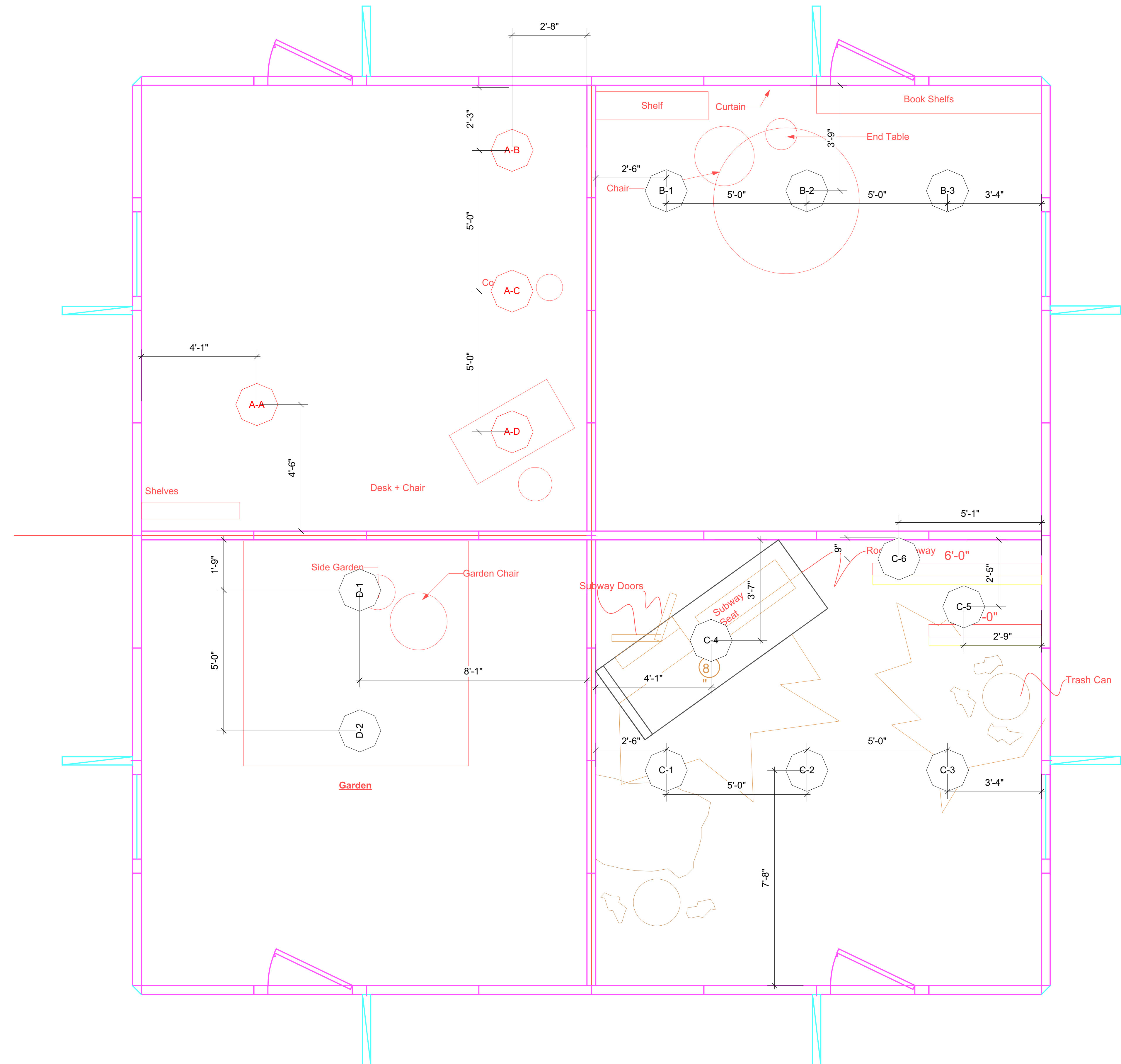
305A Boom 3



305B Boom 1



305B Boom 2




3 Overhead Light Plot
Scale: 1/2" = 1'-0"

SYMBOL KEY	COLOR	UNIT #	CHANNEL #
------------	-------	--------	-----------

Instrument Schedule	
	RGB LED Par @ 200w
	8ft Fluorescent Tube @ UNK
	ETC Source4 PAR WFL @ 575w
	ETC Source4 LED 36deg @ 140w
	ETC Source4 36deg @ 575w
	ETC Source4 50deg @ 575w
	ChromaQ Colorforce II 72 @ 800 w
	Chauvet COLO-Rado 2 Quad Zoom Tour @ 205w
	Chauvet Rogue R2 Wash @ 339w
	Altman Par 46 @ 200w
	Hanging Practical
	USITT Practical Luminaire
	USITT Practical Symbol
	Practical @ Practical

Designer/Contact Information:



JACK WEIMER
555 W Cornelia Ave
Apt. 305
jweimer@colum.edu
614-580-4268
Drawn By: Jack Weimer
Revision Date: 2/26/21
Revision By: MF

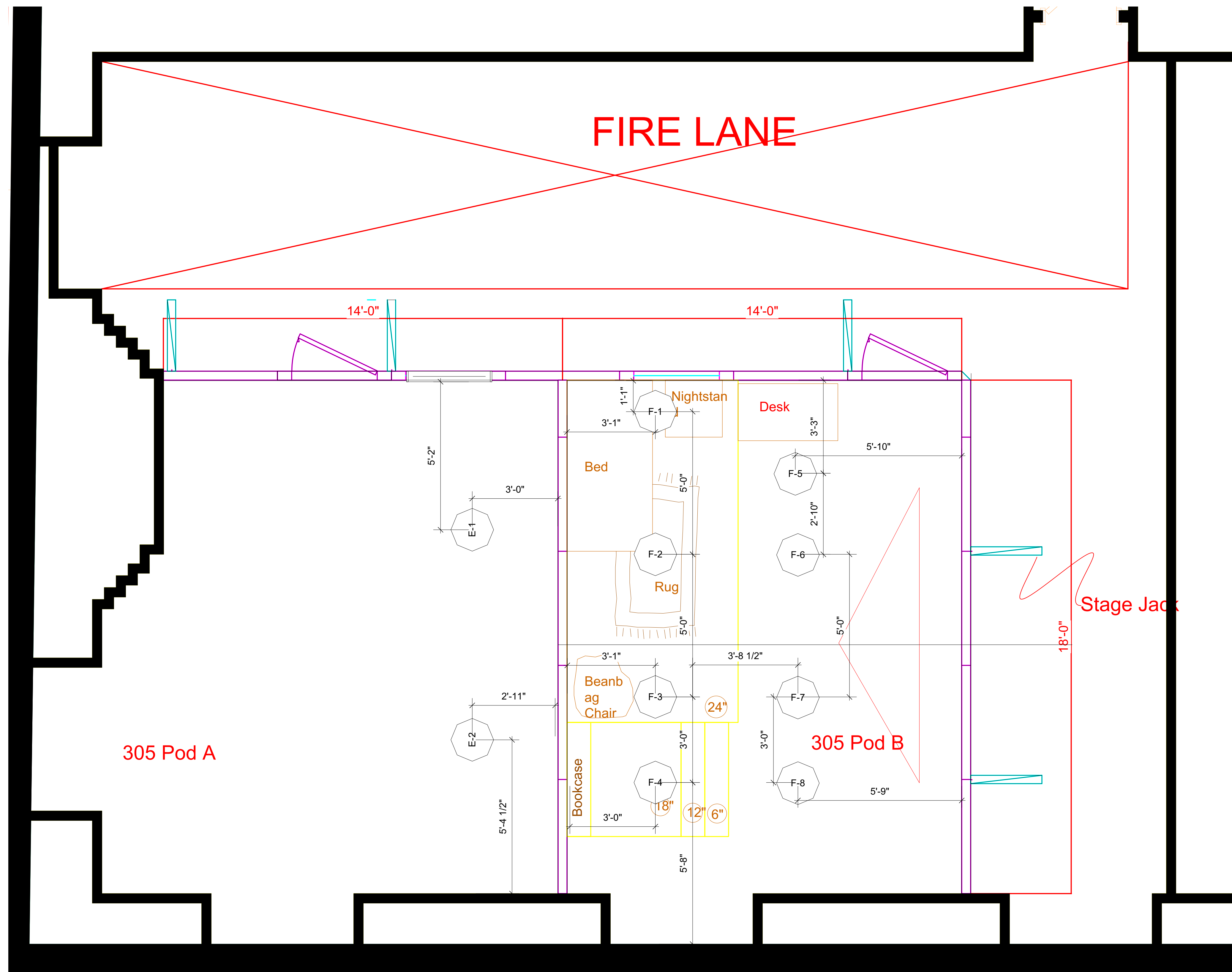
NOTES:
All conventionals to receive L201 + R119 unless otherwise specified.
All LED LERs to receive R119.
Color still TBD...

Project:
ARE YOU THERE GOD?
ITS ME KATNISS EVERDEEN
Director: Anne Libera
Designer: Overhead Plot Focus Measurements

Date:
2/8/2021

Scale:
1/2"

Sheet:
5
OF
6




4 305 PLOT
Scale: 1/2" = 1'-0"

SYMBOL KEY	COLOR	UNIT #	CHANNEL #
------------	-------	--------	-----------

Instrument Schedule	
	RGB LED Par @ 200w
	8ft Fluorescent Tube @ UNK
	ETC Source4 PAR WFL @ 575w
	ETC Source4 LED 36deg @ 140w
	ETC Source4 36deg @ 575w
	ETC Source4 50deg @ 575w
	ChromaQ Colorforce II 72 @ 800 w
	Chauvet COLO-Rado 2 Quad Zoom Tour @ 205w
	Chauvet Rogue R2 Wash @ 339w
	Altman Par 46 @ 200w
	Hanging Practical
	USITT Practical Luminaire
	USITT Practical Symbol
	Practical @ Practical

Designer/Contact Information:



JACK WEIMER
555 W Cornelia Ave
Apt. 305
jweimer@colum.edu
614-580-4268
Drawn By: Jack Weimer
Revision Date: 2/26/21
Revision By: MF

NOTES:
All conventionals to receive L201 + R119 unless otherwise specified.
All LED LERs to receive R119.
Color still TBD...

Project:
ARE YOU THERE GOD?
ITS ME KATNISS EVERDEEN

Director: Anne Libera
Purpose: 305 Plot Focus Measurements

Date: 2/8/2021

Scale: 1/2"

Sheet: 6 OF 6